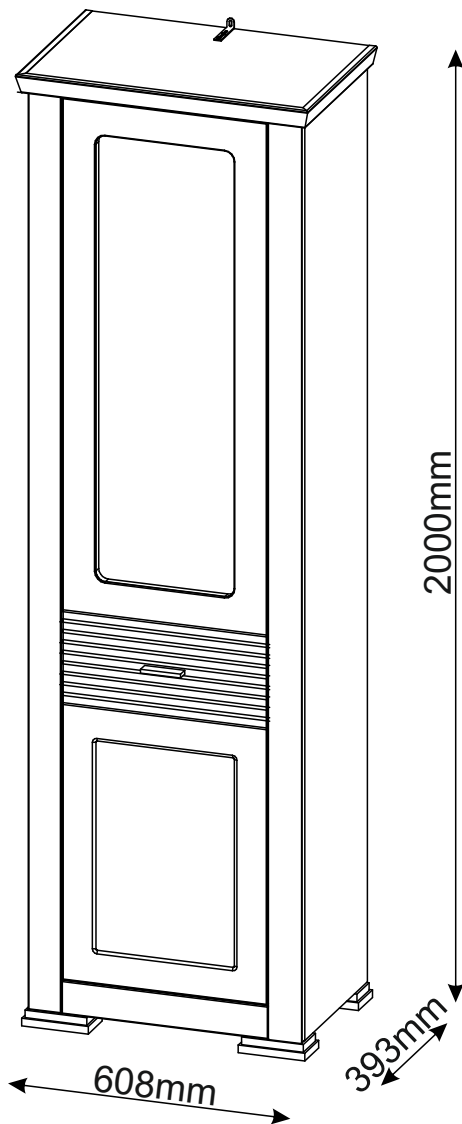
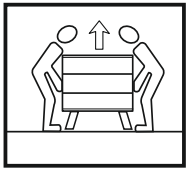
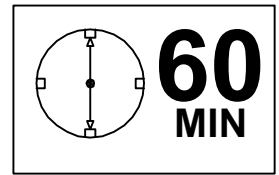
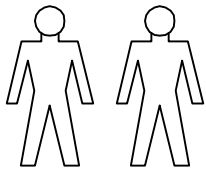
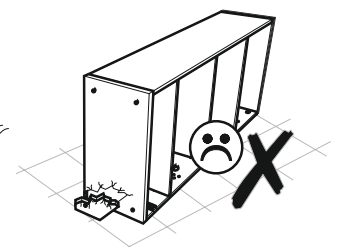
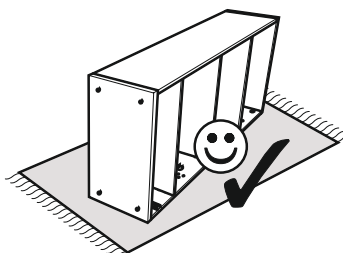
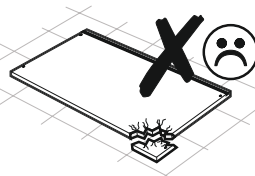
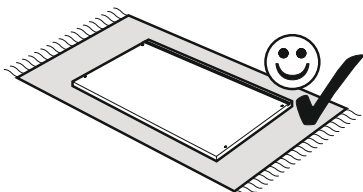
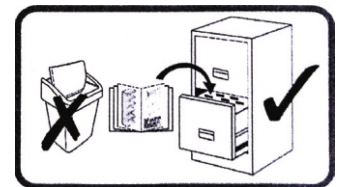
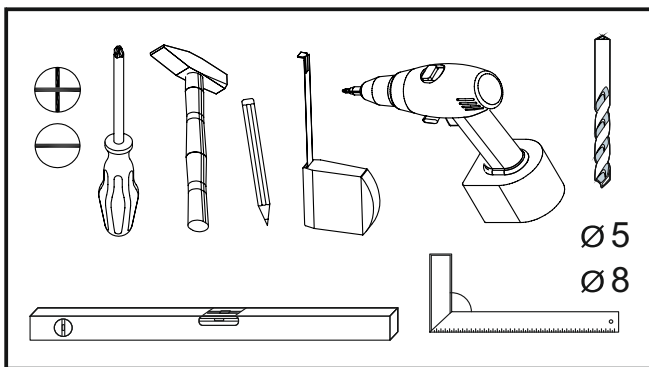
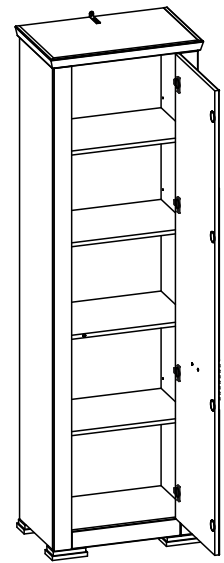
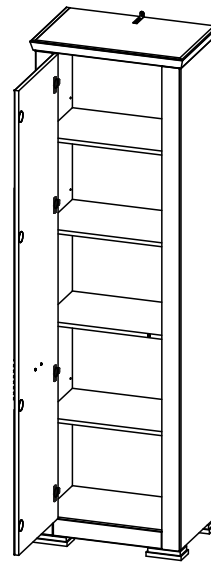


Agnes Tall cabinet 1D



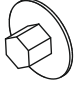



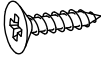
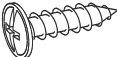
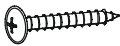
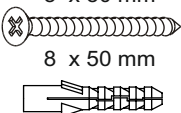


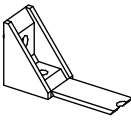
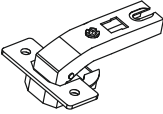
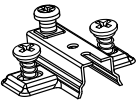

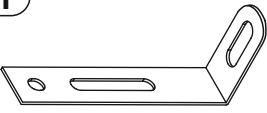
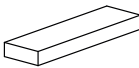



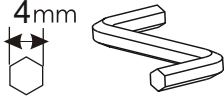


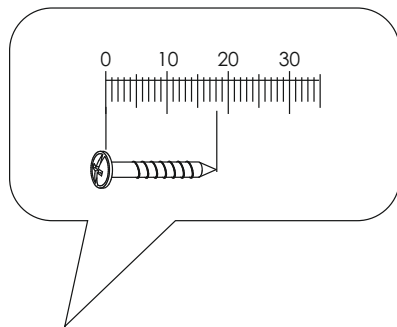
L

R



Agnes Tall cabinet 1D


A0 8 x 30mm  x12	B2 7 x 70 mm  x4	C0  x8
C1  16mm x12	C2  x12	D0 3 x 15 mm  x22
D10 4 x 16 mm  x8	D17  3,5 x 16 mm x52	D18  4.2 x 30 mm x6
E4 5 x 50 mm 8 x 50 mm  x1	F0  x14	F1  x12
F2  x4	G8A  x4	G8B  x4
H0  x12	I1  x1	L35  x1
M0  x4	U0  x1	U2  x8
		Z 4mm  x1

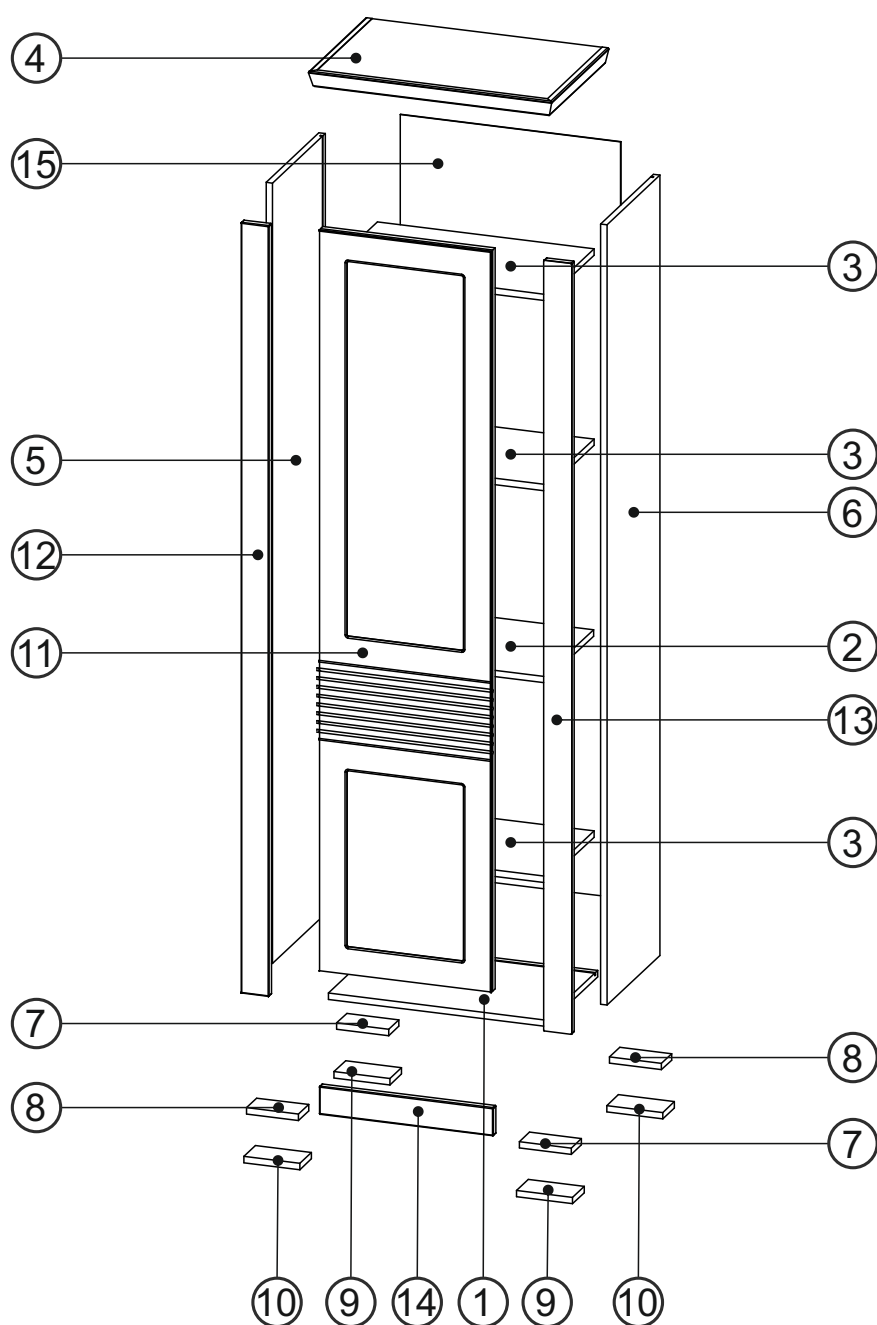


Agnes Tall cabinet 1D




①	542	362.5	16	x1	1/2
②	542	341	16	x1	1/2
③	541	333	16	x3	1/2
④	608	393	40	x1	1/2
⑤	1952	363	16	x1	2/2
⑥	1952	363	16	x1	2/2

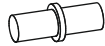
⑦	130	70	16	x2	2/2
⑧	130	70	16	x2	2/2
⑨	140	80	16	x2	2/2
⑩	140	80	16	x2	2/2
⑪	1854	431	16	x1	2/2
⑫	1928	70	18	x1	2/2

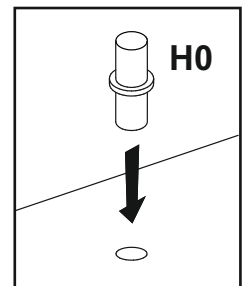
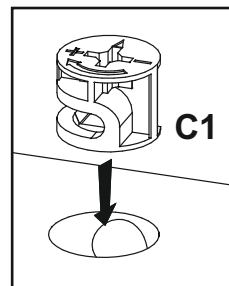
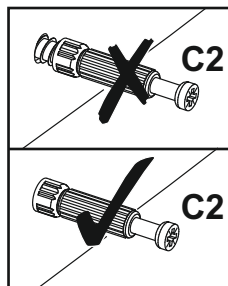
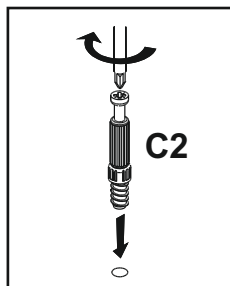
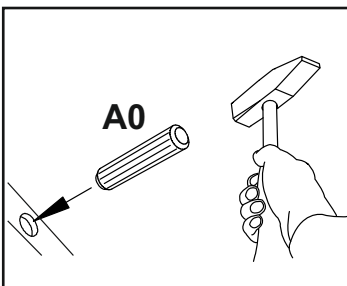
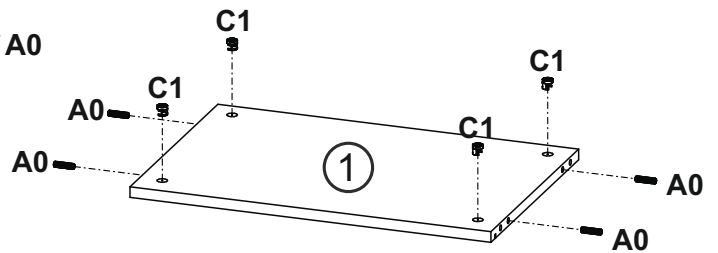
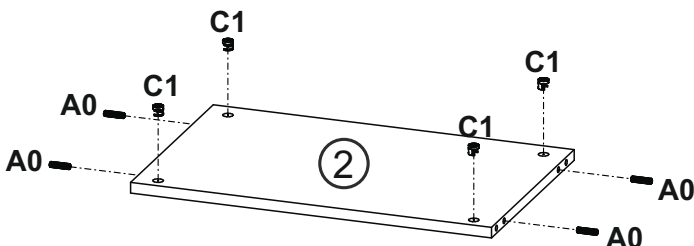
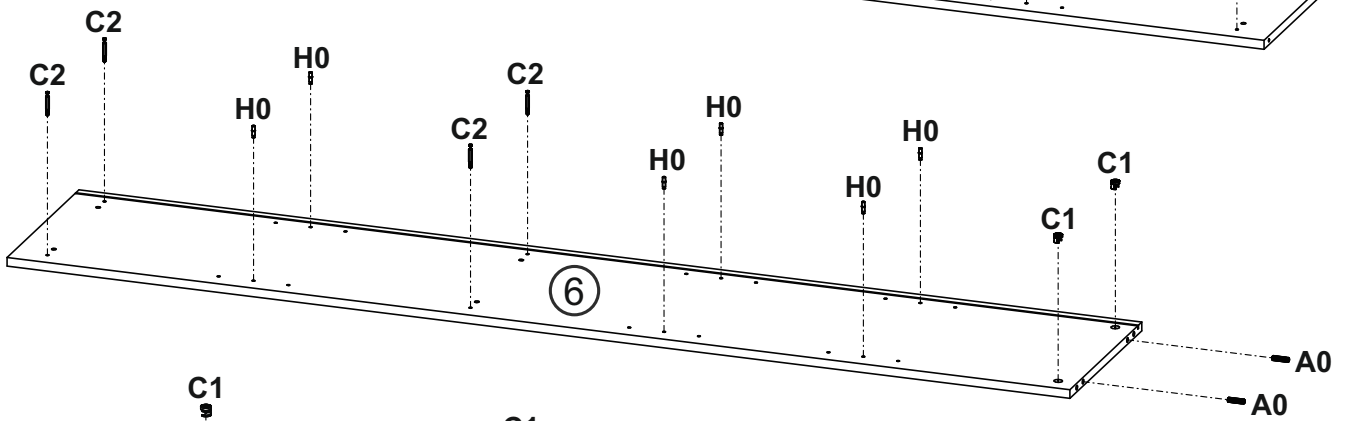
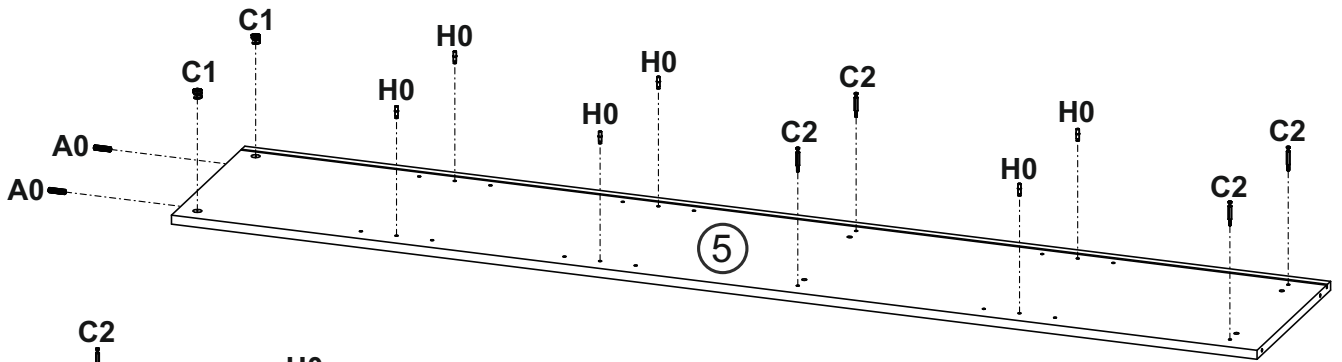
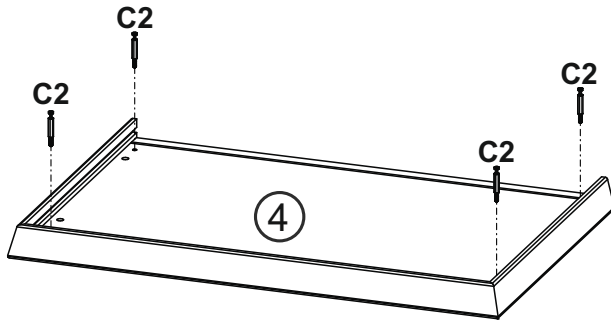
⑬	1928	70	18	x1	2/2
⑭	435	70	18	x1	2/2
⑮	1892	552	3	x1	2/2
					1/2





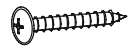

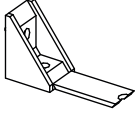
1

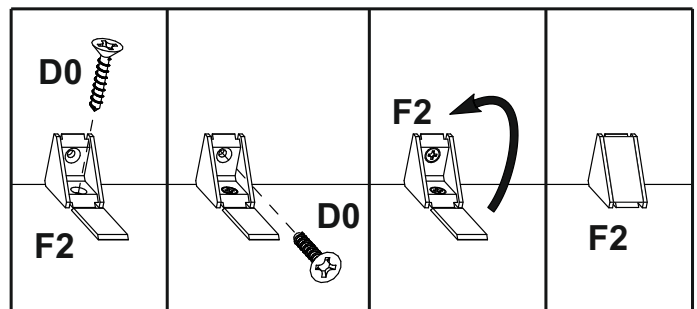
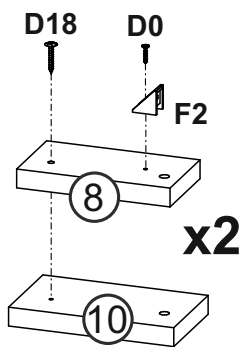
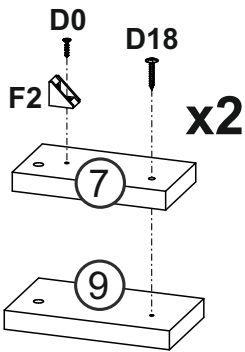
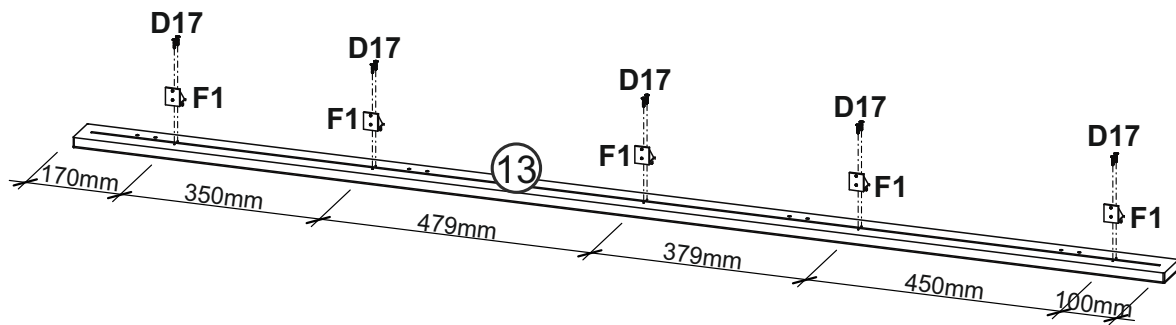
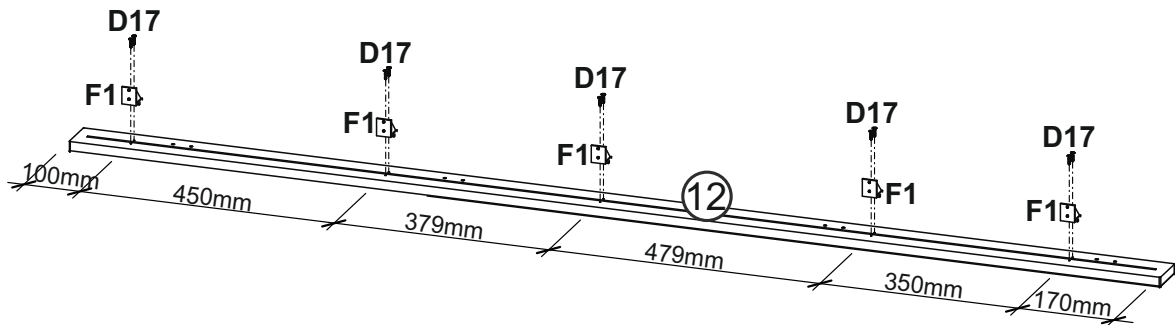
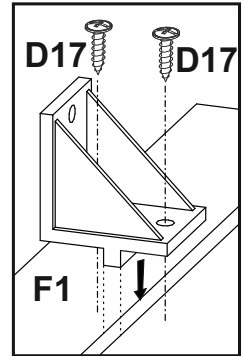
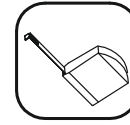
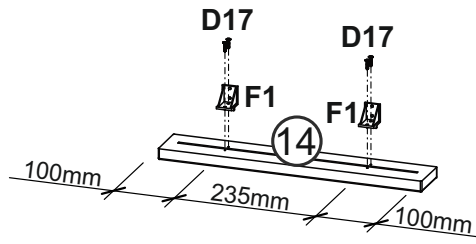
A0 8 x 30mm 	x12	C1 16mm 	x12	C2 	x12
--	------------	--	------------	--	------------

H0 	x12
--	------------



2

(D0) 3 x 15 mm 	x4	(D17) 3,5 x 16 mm 	x24	(D18) 4.2 x 30 mm 	x4
		(F1) 	x12	(F2) 	x4



3

B2

7 x 70 mm

x4



D0

3 x 15 mm

x4

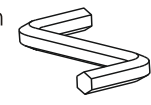


U2

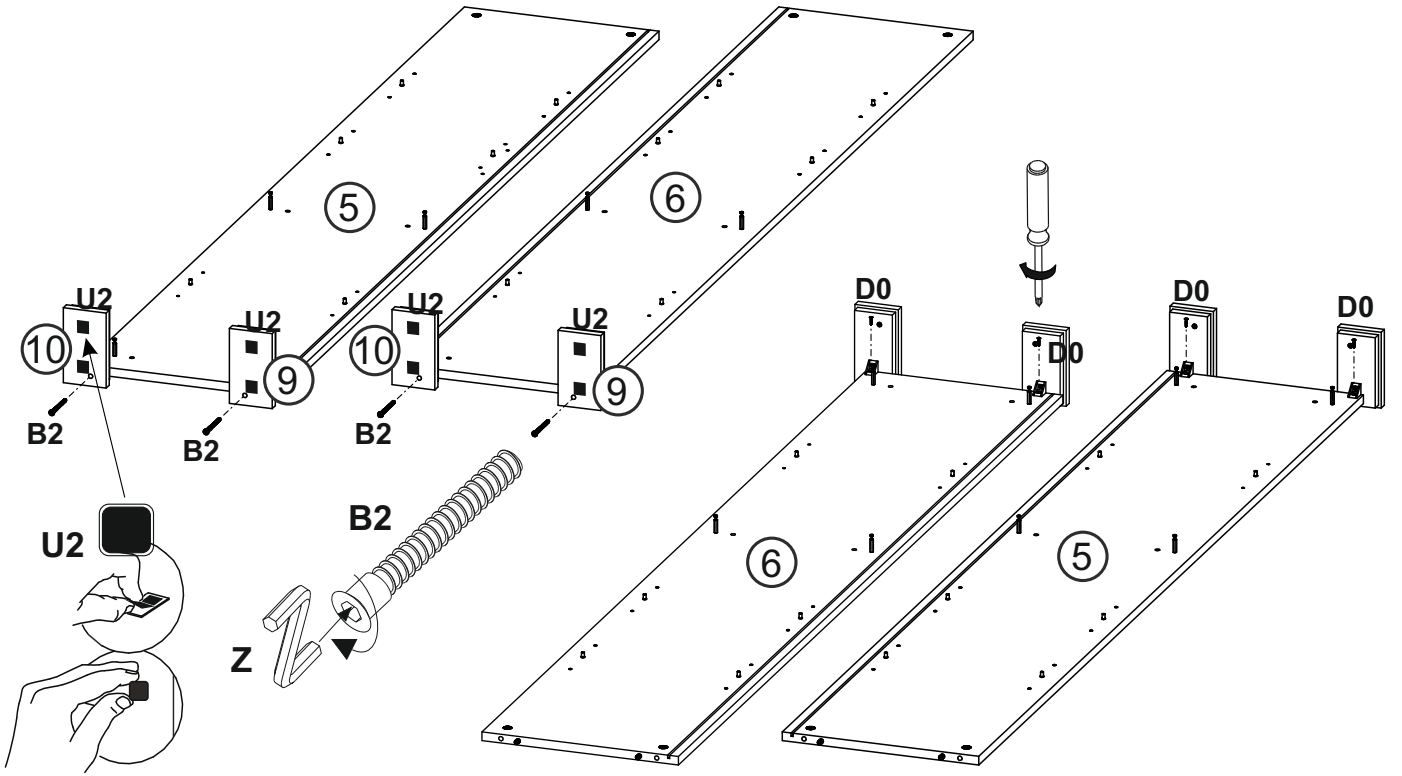


x8

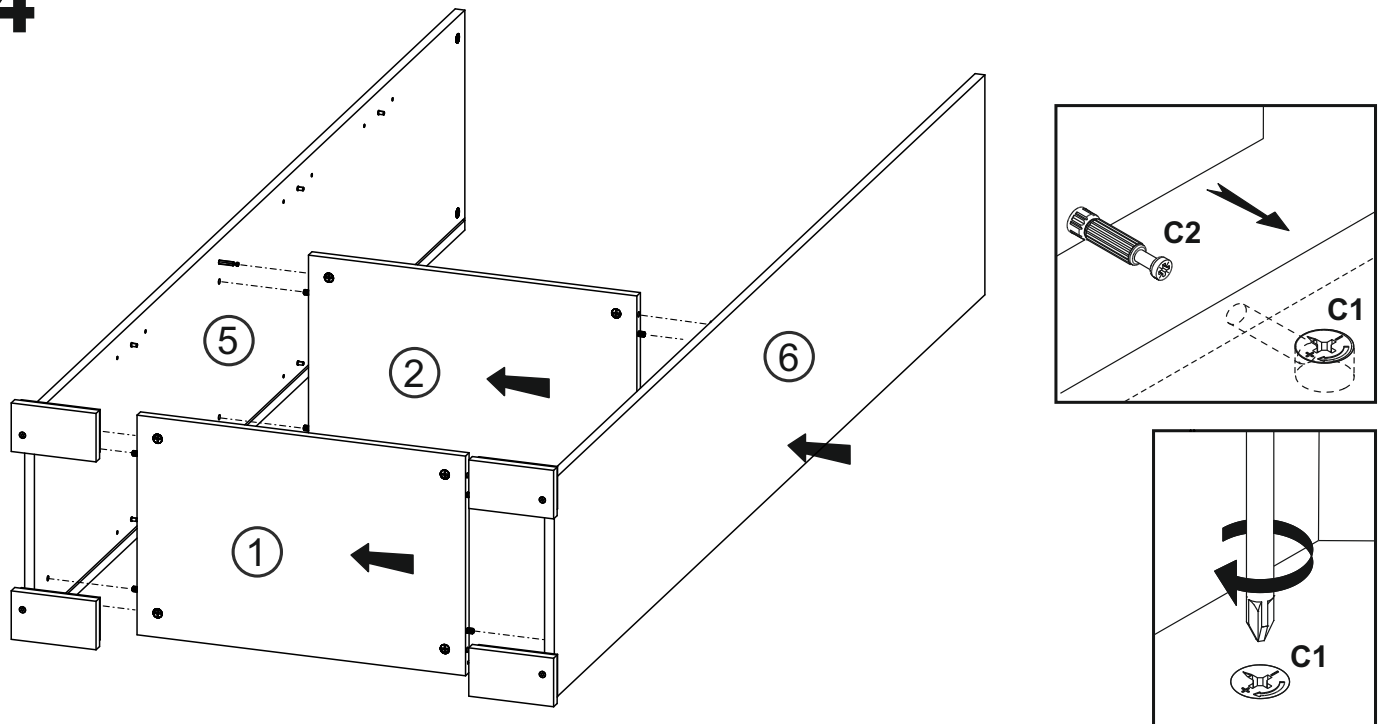
Z



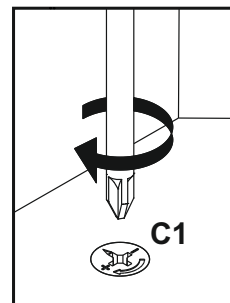
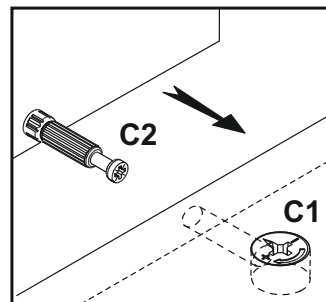
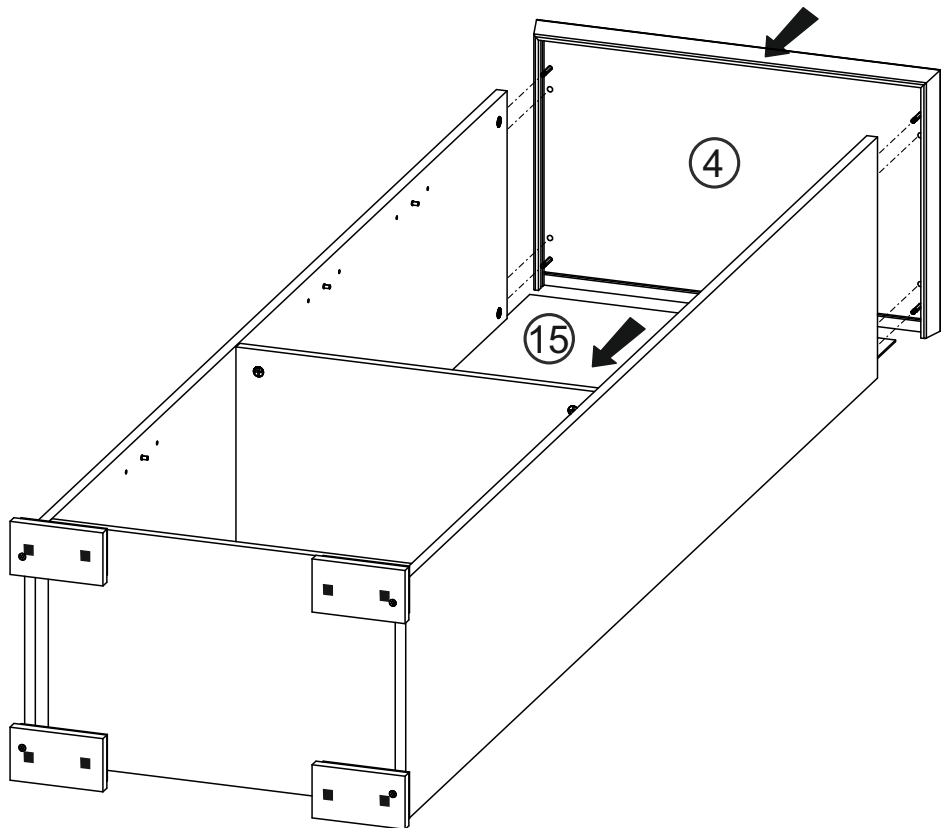
x1



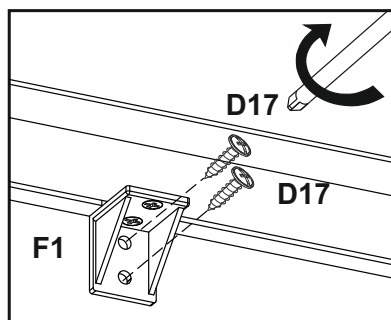
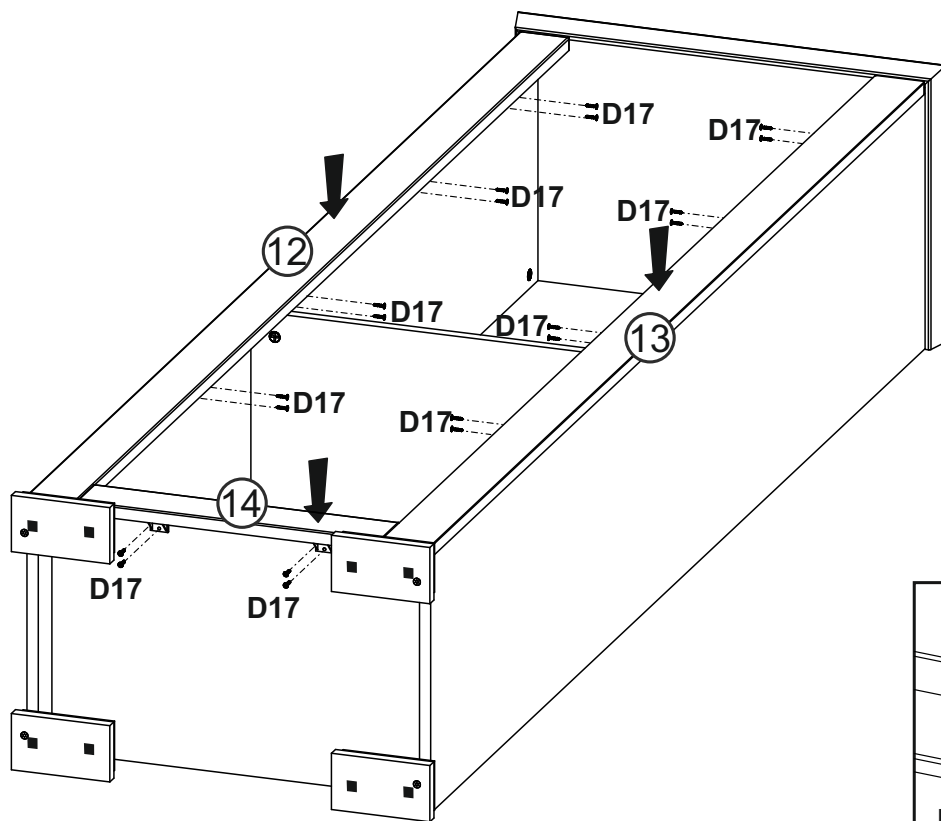
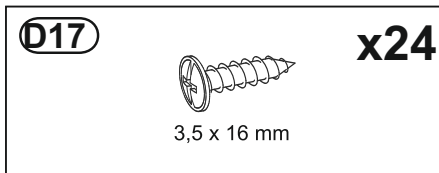
4



5



6



7

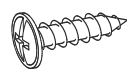
(D0)

3 x 15 mm

x14



(D17)



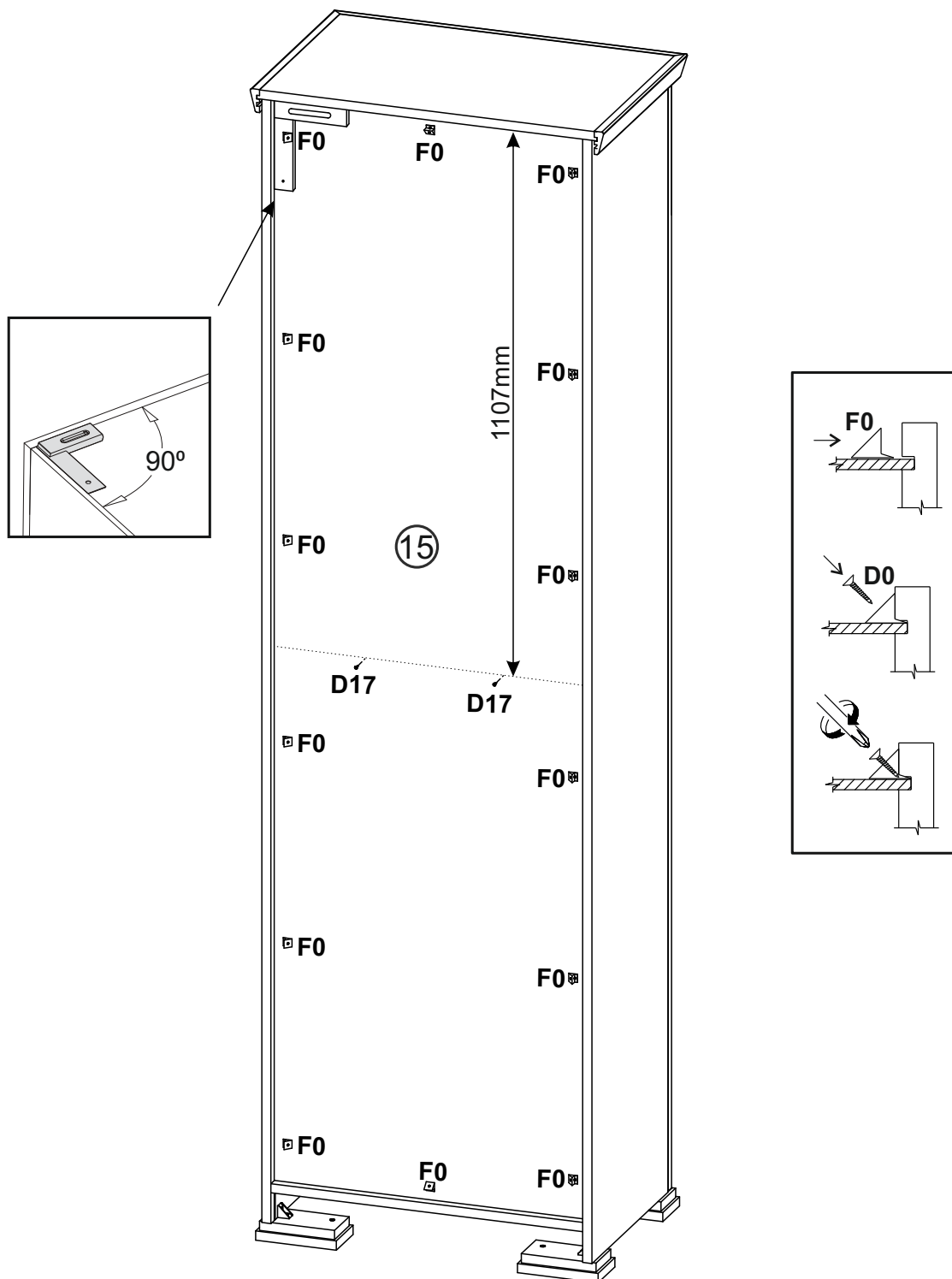
3,5 x 16 mm

x2

(F0)



x14



8

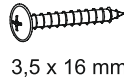
C0

x8



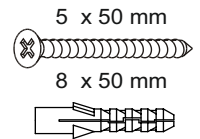
D17

x2



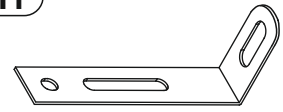
3,5 x 16 mm

E4

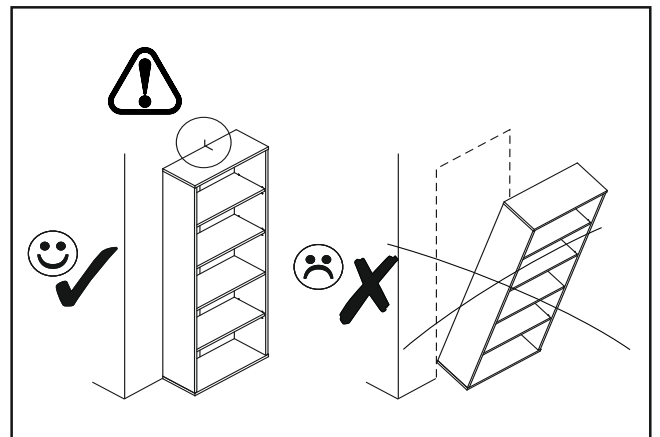
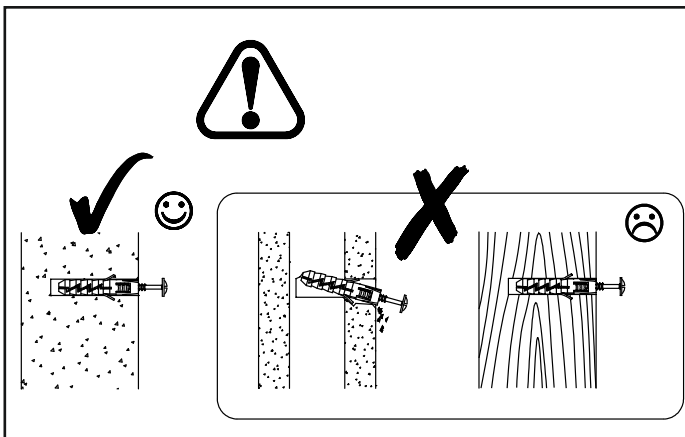
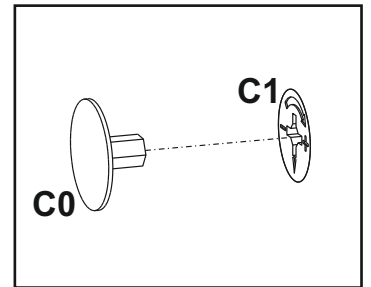
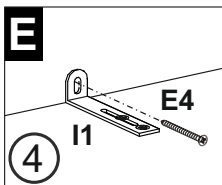
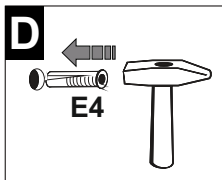
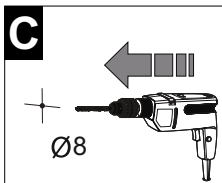
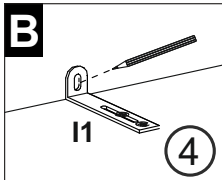
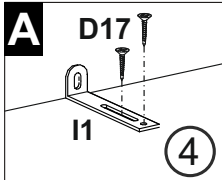
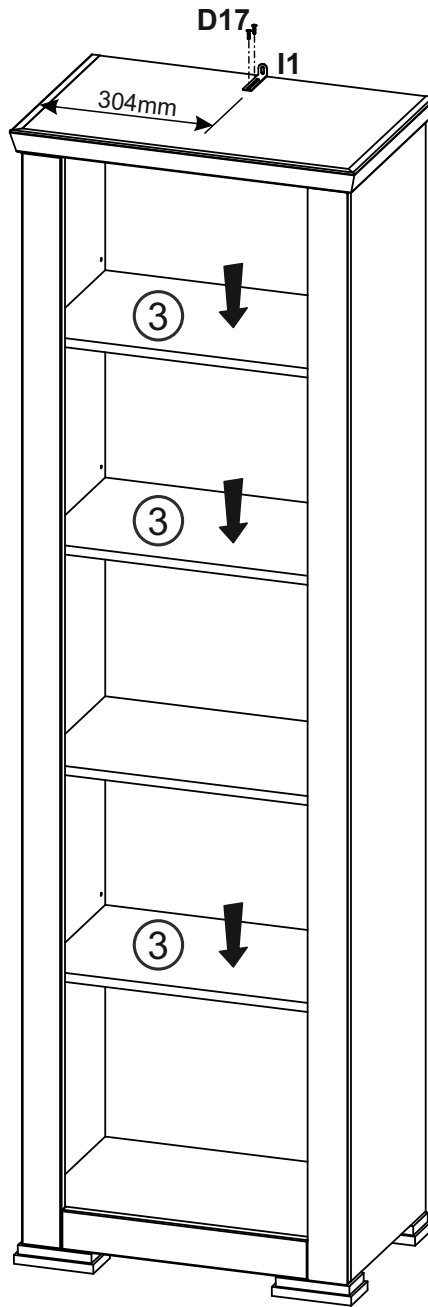


x1

I1



x1



9R

D10

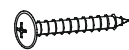
4 x 16 mm

x8



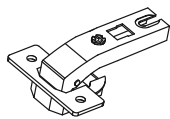
D18

x2



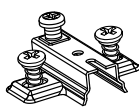
4.2 x 30 mm

G8A



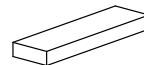
x4

G8B



x4

L35



x1

M0

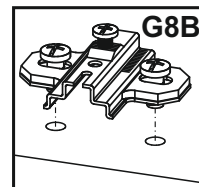
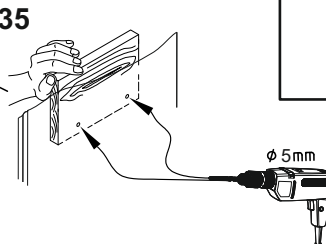
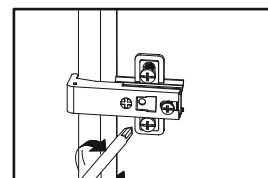
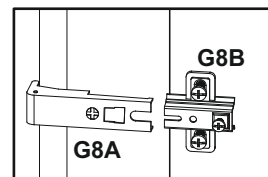
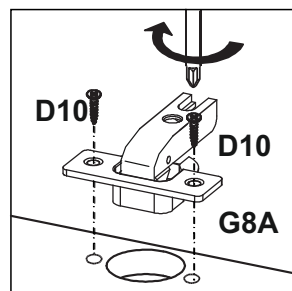
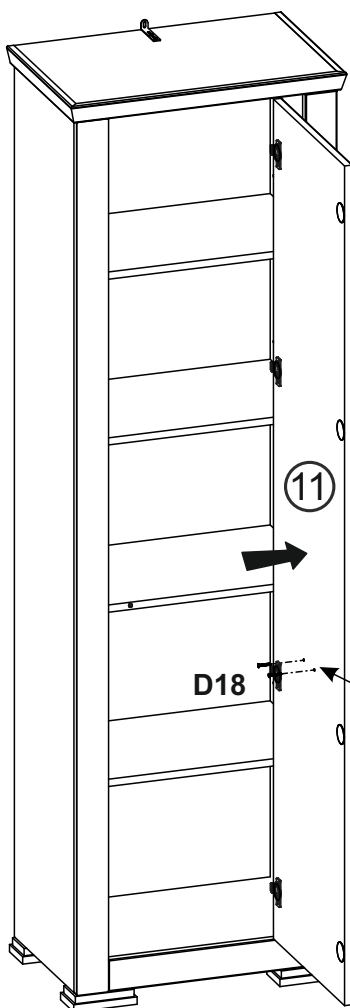
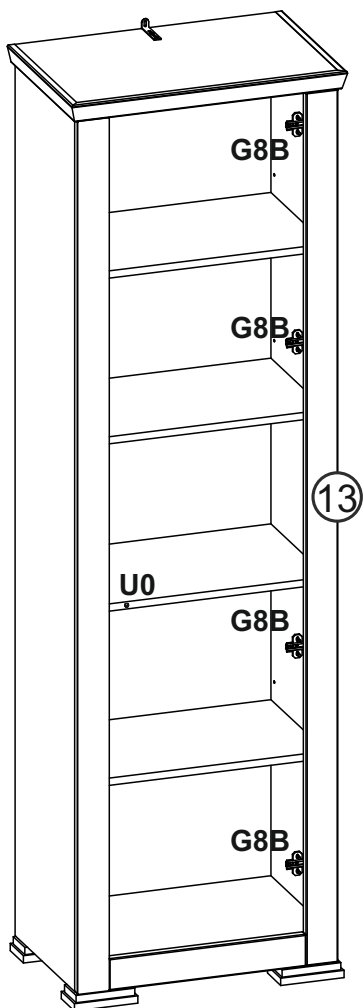
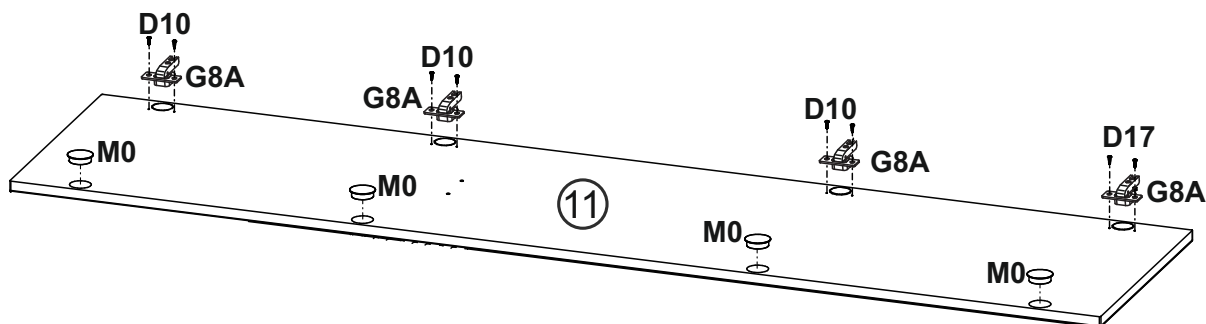
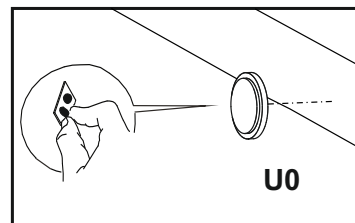


x4

U0



x1

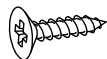


9L

D10

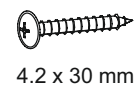
4 x 16 mm

x8

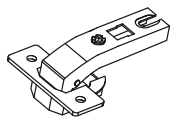


D18

x2

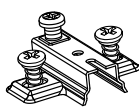


G8A



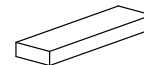
x4

G8B



x4

L35



x1

M0



x4

U0



x1

